

SUB CONTRACTOR:  
 T & C QATAR L.L.C. - C.R. 35109  
 P.O. Box: 2329 DOHA, QATAR  
 TEL: (+974) 4421 833 / 4930 614  
 FAX: (+974) 4410 553 / 4930 614



CONSULTANT:  
 المكتب العربي للتصميم الهندسية  
 ARAB ENGINEERING BUREAU  
 تلفون 1181 1181 1181 - الفاكس 1181 1181 1181  
 Telephone: +974 4477 181 Fax: +974 4477 181 P.O. Box 148 Doha Qatar  
 Email: info@aebs.com Web: www.aebs.com

DESIGNER:

MAIN CONTRACTOR:  
  
 AL MADAR CONTRACTING  
 P.O. Box: 2329 DOHA, QATAR  
 TEL: (+974) 4675405 - 4674466  
 FAX: (+974) 4671333 - C.R. : 15061  
 WEB SITE: www.almadar-group.com  
 Email: conteng@almadar-group.com

OWNER:  
 ALI ABDUL REDA MASHHADI

PROJECT:  
 AL NOOR OFFICE TOWER AT NEW DOHA  
 2B+G+F+22 FLOORS

DRAWING TITLE:  
 FIRST FLOOR  
 HVAC + CHILLED WATER

DRAWING REFERENCE:  
 75-10288-M130 - FIRST FLOOR HVAC  
 75-10288-M200 - FIRST FLOOR CHILLED WATER  
 75-10288-M000 - HVAC AND CHILLED WATER LEGEND  
 75-10288-M170 - HVAC AND CHILLED WATER RISER DIAGRAM  
 75-10288-M180 - HVAC EQUIPMENT SCHEDULES

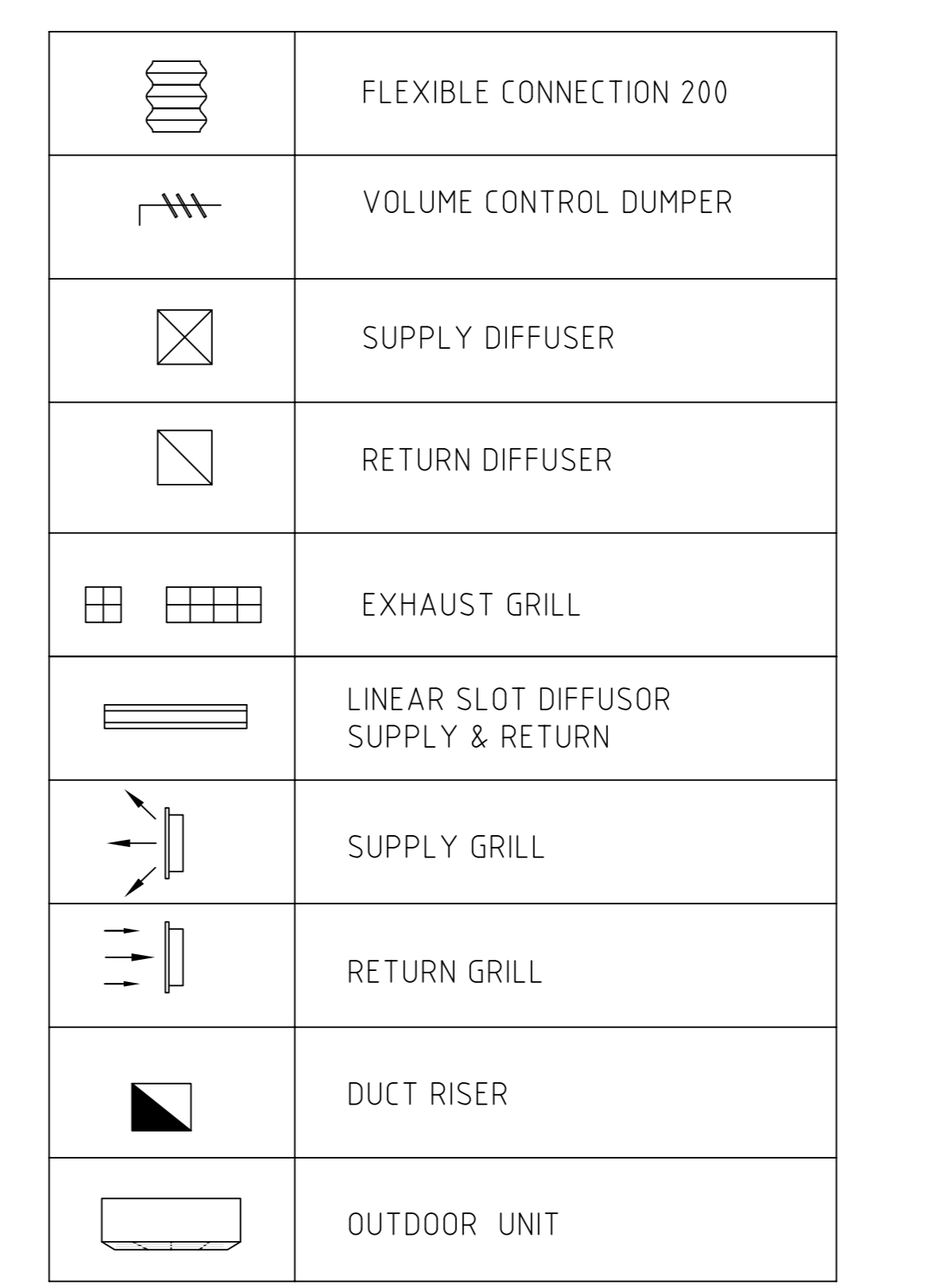
DIX-SPLIT UNIT SCHEDULE									
REF. NO.	LOCATION	TYPE	AMOUNT	SIZE (mm)	UNITARY DATA	MARKET	REMARKS	DATE	BY
MS-10	MECH. ROOM	EXHAUST GRILL	1	1000	1000	1000	1000	1000	1000

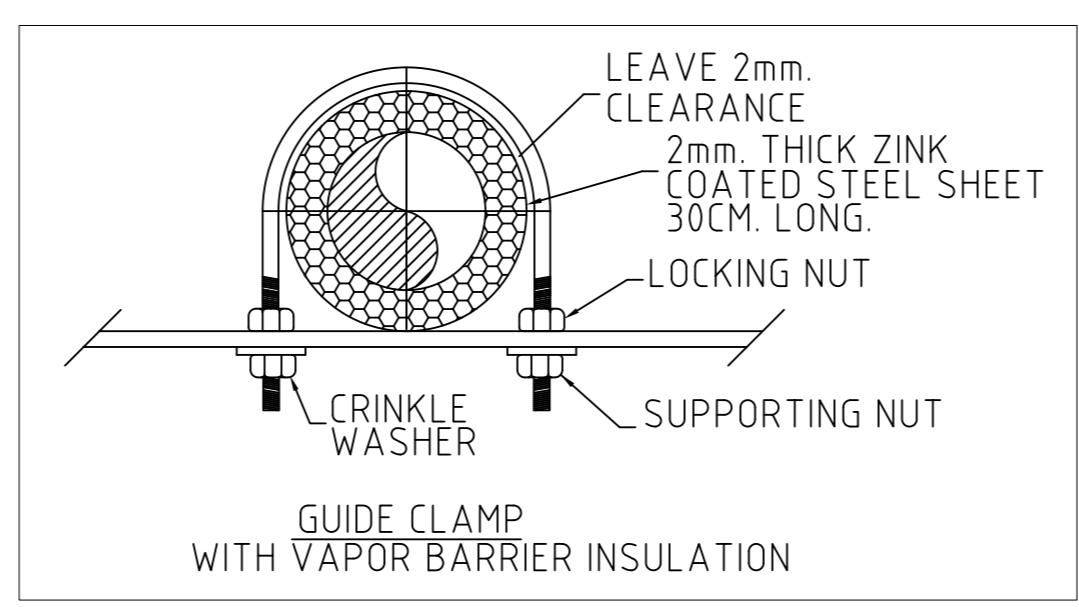
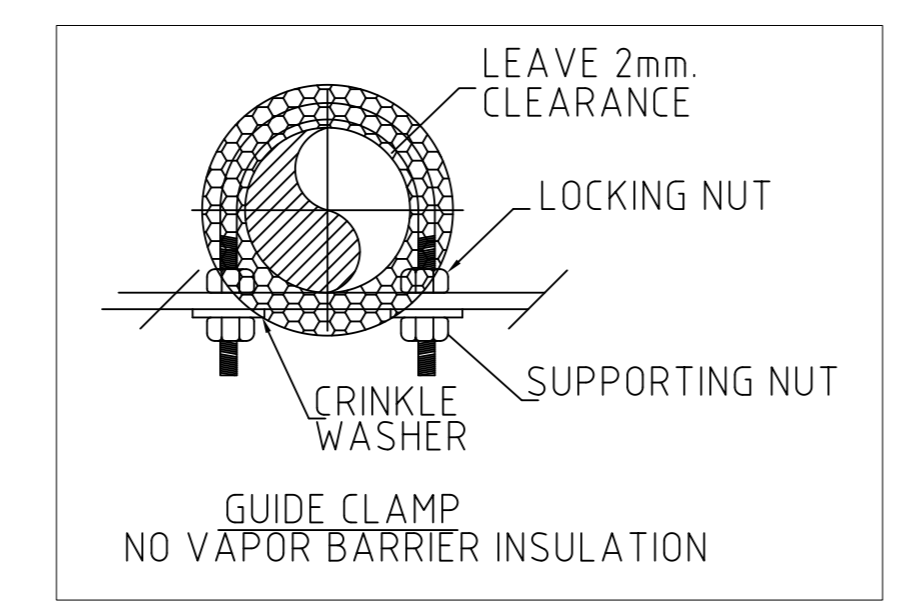
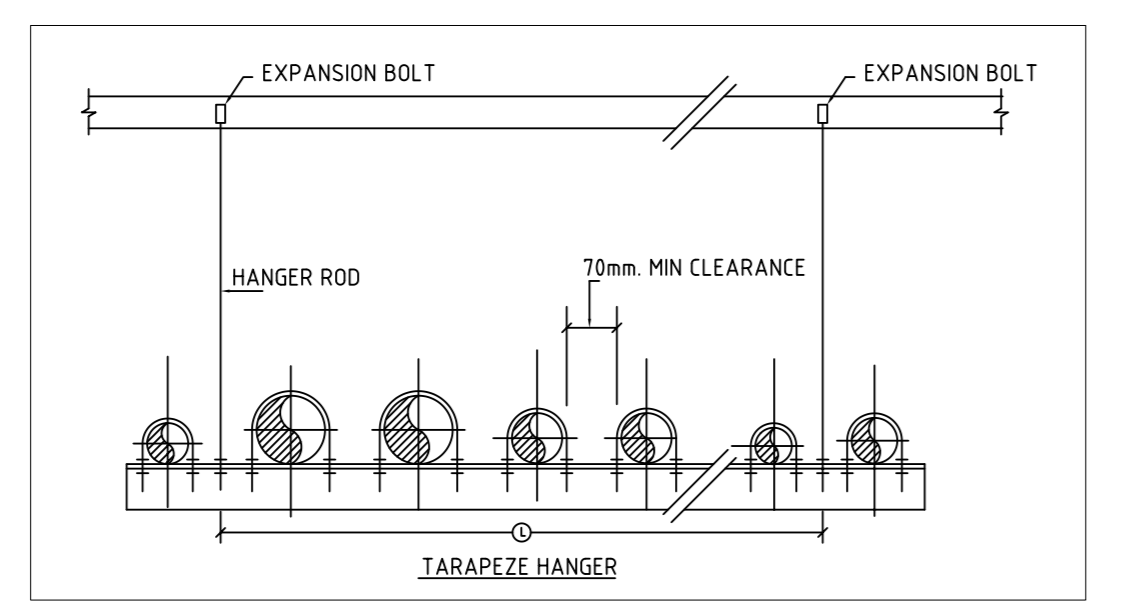
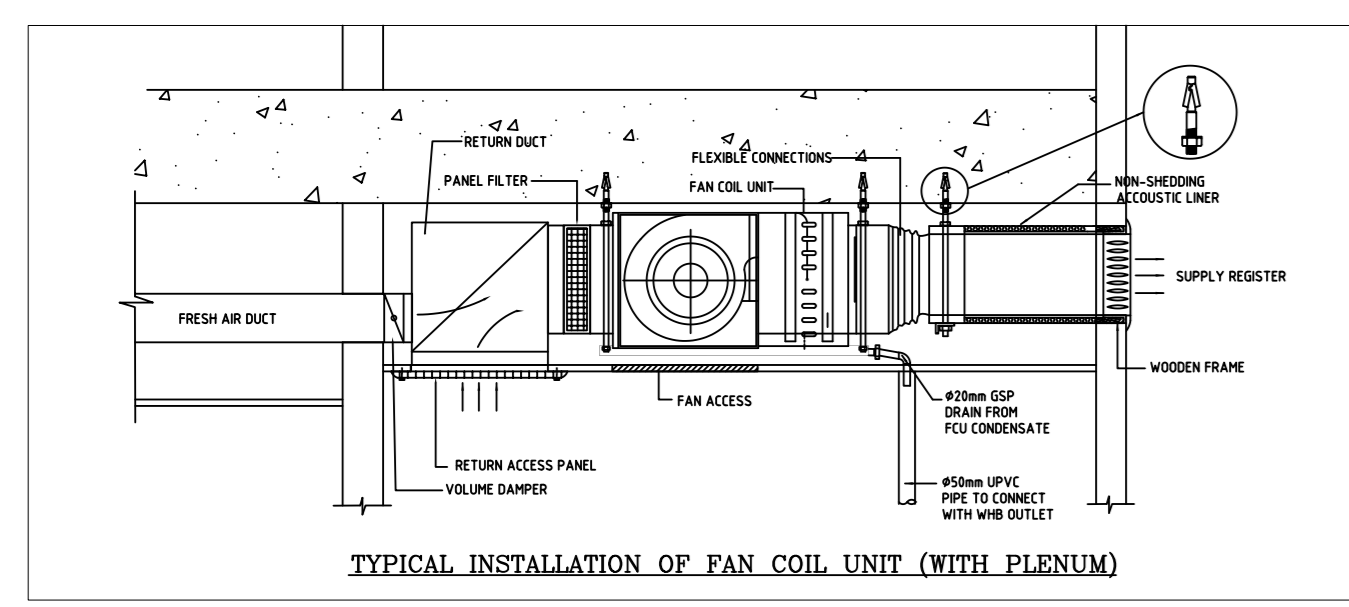
SLOT LINEAR DIFFUSER									
REF. NO.	SIZE (mm)	AP. QTY. (NO.)	TYPE	FRESH/COLOR					
SD-1	600x100	10	ESHAUNT	FRESH/COLOR					

A/R HANDLING UNIT SCHEDULE									
REF. NO.	LOCATION	TYPE	AMOUNT	SIZE (mm)	UNITARY DATA	MARKET	REMARKS	DATE	BY
MS-11	MECH. ROOM	EXHAUST GRILL	1	1000	1000	1000	1000	1000	1000



FAD FRESH AIR DUCT  
 EAD EXHAUST AIR DUCT  
 AHU AIR HANDLING UNIT  
 FCU FAN COIL UNIT  
 VD VOLUME DUMPER  
 CHWS CHILLED WATER SUPPLY  
 CHWR CHILLED WATER RETURN  
 RLD RETURN LINEAR DIFFUSOR  
 SLD SUPPLY LINEAR DIFFUSOR  
 DLD DUCT LINEAR DIFFUSOR  
 IL INVERT LEVEL  
 LEN LENGHT  
 ID INDOOR UNIT  
 EG EXHAUST GRILL  
 EF EXHAUST FAN  
 H / L HIGH LEVEL  
 F / A FROM ABOVE  
 T / B TO BELOW  
 D / D DROP DOWN  
 SG SUPPLY GRILL  
 RG RETURN GRILL



DRAWN BY L. MARRACINO

CHECKED BY M. ALAA

APPROVED BY M. MOHAMUD

DATE 04.07.07

SCALE 1:50 SIZE A0

REVISION 0

DATE 04.07.07

DRAWING NO. TC01M3F01067  
 SHEET 2 OF 2